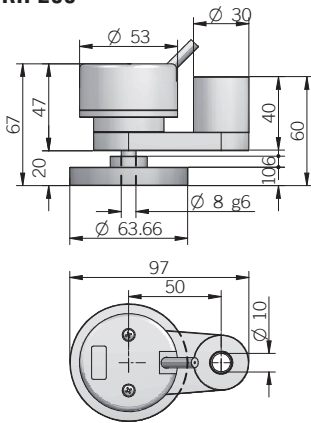




## RH 200



dimensions in mm

## ELECTRICAL SPECIFICATIONS

<b>Resolution</b>	from 50 to 5000 ppr
<b>Power supply</b> <sup>1</sup>	5 = 4,5 ... 5,5 V DC 5/28 = 4,5 ... 30 V DC (reverse polarity protection)
<b>Current consumption without load</b>	100 mA max
<b>Max load current</b>	C / P = 50 mA / channel L / RS = 20 mA / channel
<b>Electrical interface</b> <sup>2</sup>	NPN open collector (AEIC-7273, pull-up max +30 V DC) push-pull / line driver HTL (AEIC-7272) line driver RS-422 (AELT-5000 or equivalent)
<b>Max output frequency</b>	105 kHz up to 1024 ppr 500 kHz from 2000 ppr
<b>Counting direction</b>	A leads B clockwise (shaft view)
<b>Electromagnetic compatibility</b>	according to 2014/30/EU directive
<b>RoHS</b>	according to 2015/863/EU directive
<b>UL / CSA</b>	certificate n. E212495

<sup>1</sup> as measured at the transducer without cable influences<sup>2</sup> for further details refer to OUTPUT LEVELS on TECHNICAL BASICS section<sup>3</sup> measured on the transducer flange<sup>4</sup> condensation not allowed

## MECHANICAL SPECIFICATIONS

<b>Shaft diameter</b>	∅ 8 mm
<b>Enclosure rating</b>	IP 54 (IEC 60529)
<b>Max rotation speed</b>	3000 rpm
<b>Shock</b>	50 G, 11 ms up to 2500 ppr (IEC 60068-2-27)
<b>Vibration</b>	10 G, 10 ... 2000 Hz (IEC 60068-2-6)
<b>Starting torque (at +20°C / +68°F)</b>	< 0,01 Nm (1,42 Ozin)
<b>Bearing stage material</b>	EN-AW 2011 aluminum
<b>Housing material</b>	PA66 glass fiber reinforced
<b>Shaft material</b>	1.4305 / AISI 303 stainless steel
<b>Support material</b>	EN-AW 2011 aluminum
<b>Wheel material</b>	EN-AW 2011 aluminum
<b>Bearings</b>	n.2 ball bearings
<b>Bearings life</b>	10 <sup>9</sup> revolutions
<b>Operating temperature</b> <sup>3,4</sup>	-10° ... +70°C (+14° ... +158°F)
<b>Storage temperature</b> <sup>4</sup>	-25° ... +70°C (-13° ... +158°F)
<b>Encoder + support weight</b>	250 g (8,82 oz)
<b>Wheel weight</b>	90 g (3,17 oz)

## CONNECTIONS

Function	Cable C / P	Cable L / RS
+V DC	red	red
0 V	black	black
A+	green	green
A-	/	brown
B+	yellow	yellow
B-	/	orange
Z+	blue	blue
Z-	/	white
⊥	shield	shield

## RESOLUTIONS

50\* - 100 - 200 - 250 - 400 - 500 - 512 - 1000 - 1024 - 2000 - 2048 - 2500 - 4096 - 5000

\*available without zero pulse

please directly contact our offices for other pulses, preferred resolutions in bold